

24 Cam Latch

Flush T-Handle · Adjustable grip

Features

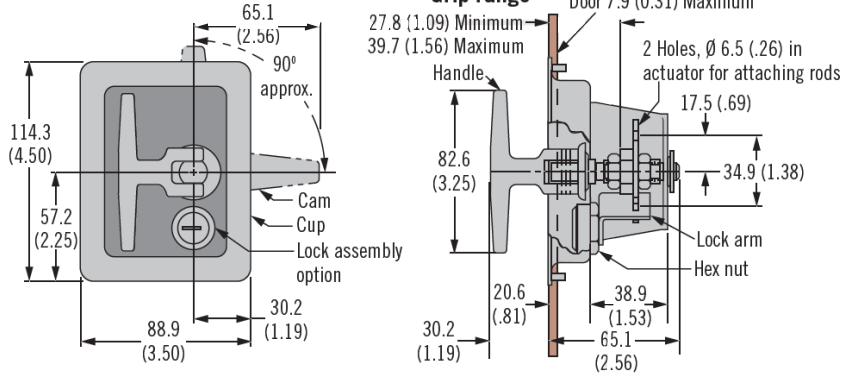
- Concealed mounting type

Material

- Zinc alloy and steel, zinc plated or stainless steel

Product Performance

- Maximum static load: 445 N
- Maximum tightening torque of mounting nuts not to exceed 2.8 N.m



| Part Number | | |
|------------------------------------|--|---|
| Style | With Mounting Studs | |
| | Cup and bracket polished stainless steel. Handle zinc chrome plated | Cup and bracket steel dactrotized. Handle zinc dactrotized |
| Locking keyed alike CH751 supplied | 24-20-812-35 | 24-20-812-10 |
| Non-locking | 24-20-302-35 | 24-20-302-10 |
| Non-locking environmentally sealed | 24-20-312-35 | 24-20-312-10 |

92 Cam Latch

Compact T-handle · Adjustable grip

Features

- Easy cam adjustments

Notes

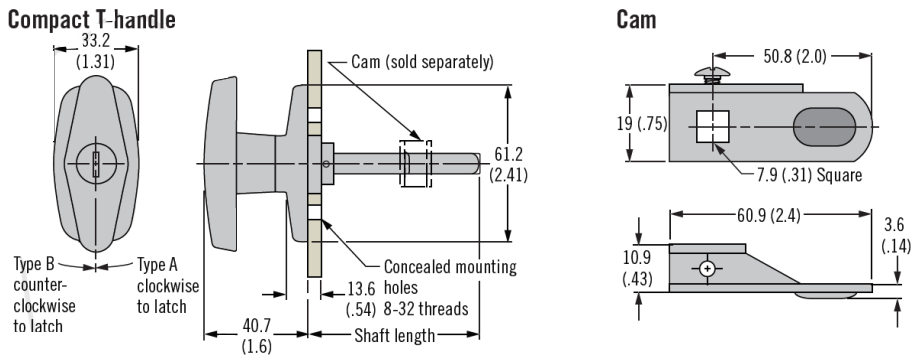
- Black and chrome finish available
- Gasket part number: 92-70-G (sold separately)

Material

- Zinc alloy, powder coated or chrome plated and steel, zinc plated

Product Performance

- Maximum static load: 150 N



| Finish | Shaft Length | Locking Compact-T Part Number | |
|--------|--------------|-------------------------------|--------------|
| | | Type A | Type B |
| Black | 38.1 (1.5) | 92-61-113-50 | 92-61-213-50 |
| | 50.8 (2.0) | 92-61-114-50 | 92-61-214-50 |
| | 63.5 (2.5) | 92-61-115-50 | 92-61-215-50 |

| Cam Part Number |
|-----------------|
| 92-24-203-12 |

Compact T-handle style shown. T and L-handle style available. Locking and non-locking.

southco®

We are proud to be
Southco's authorized
distributor of over 20 years